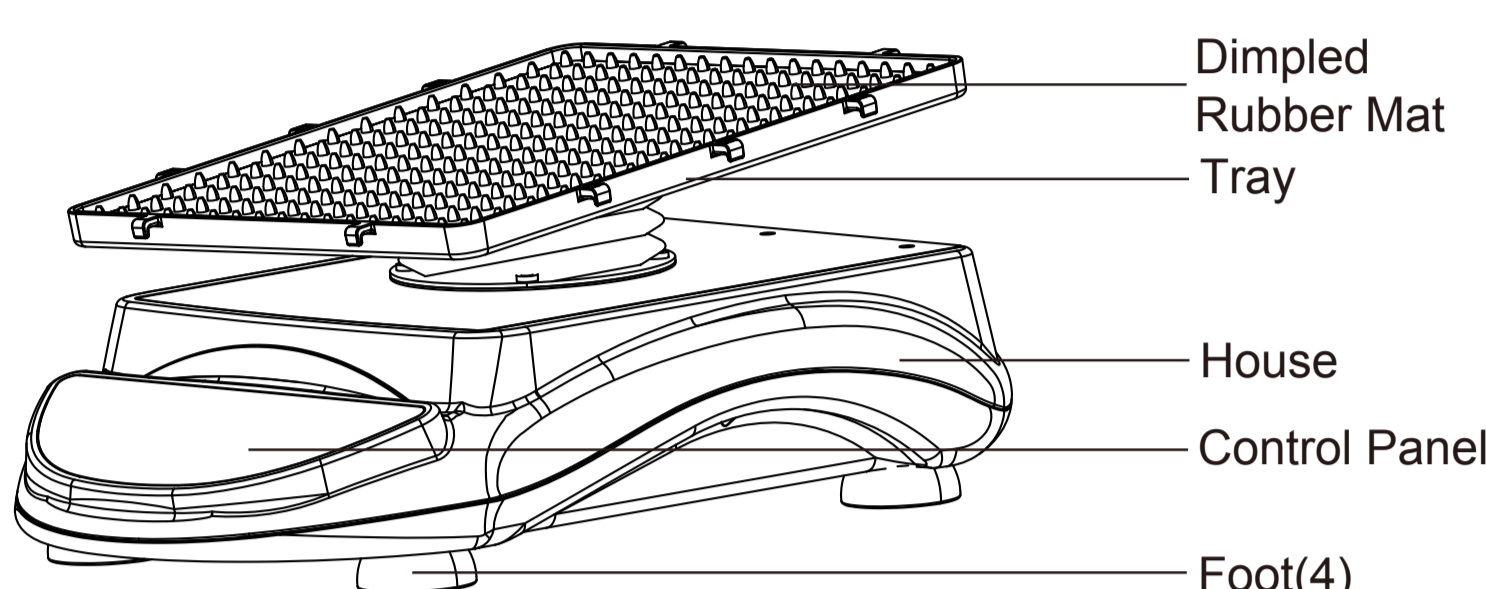


## 7° Digital Nutating Mixer



This instrument can be used for mixed blood samples, gel staining, decolorization and hybridization experiments.



### Feature



Speed

The adjustable and gentle motion is ideal for many staining applications.



Includes a large platform and non-slip mat.



Low voltage power supply provides safe cold room operation and low energy consumption.



Continuous or timed operation with automatic switch-off.



Continue to run by last set speed and the remaining time when the power recovered.



Audible and visual alarm: In timed mode, alarm will sound 5 times and then the time window shows "End" and flicker 5 times when the time reaches zero.

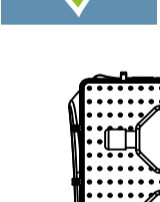
### Position of Loads

Place the loads in the recommended positions below:

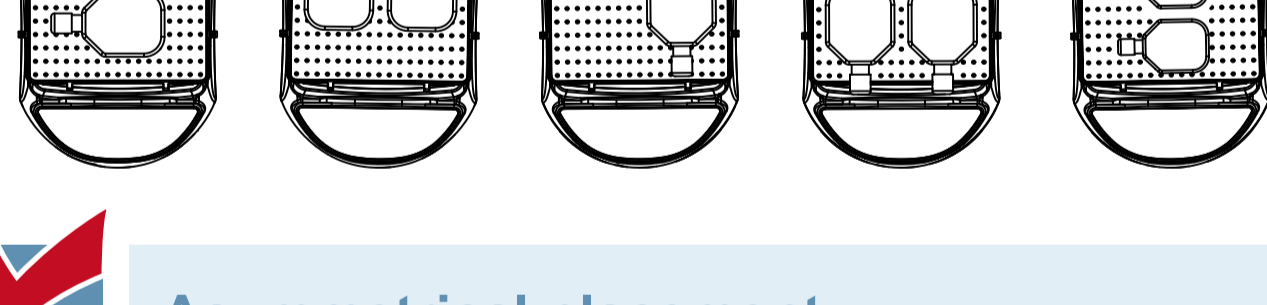
- Place load at the center of the tray
- Place loads symmetrically around the center of the tray
- Make sure to use rubber strips to fasten containers onto the tray



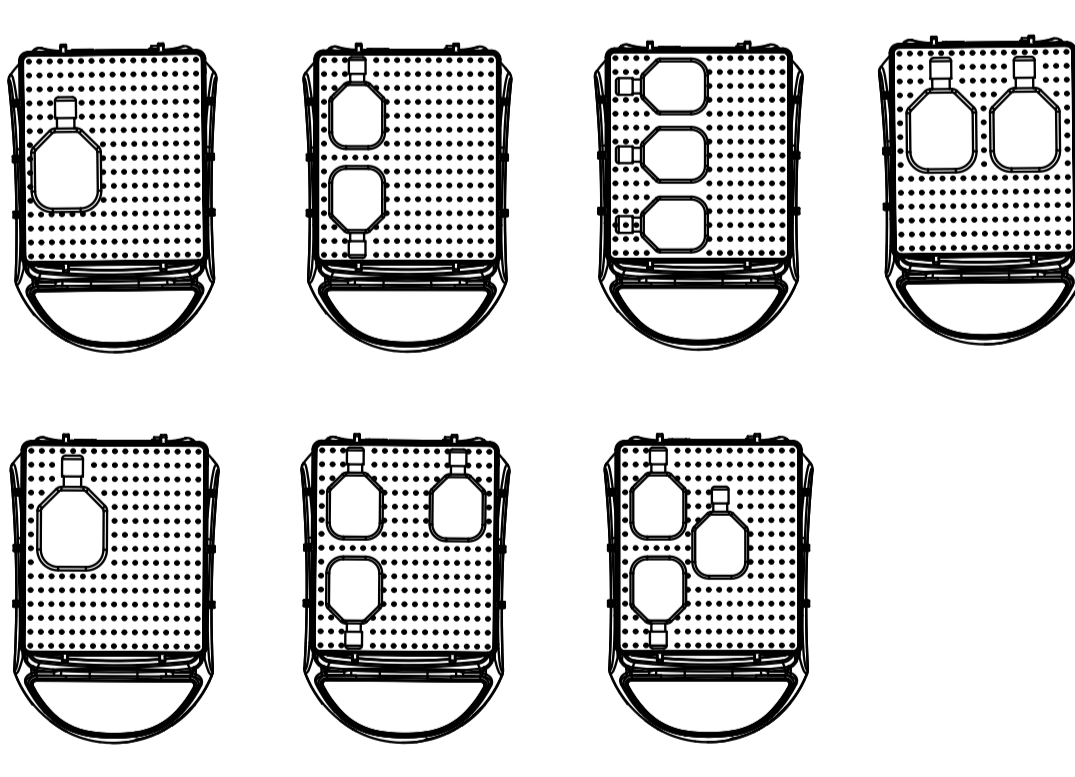
Centered Placement



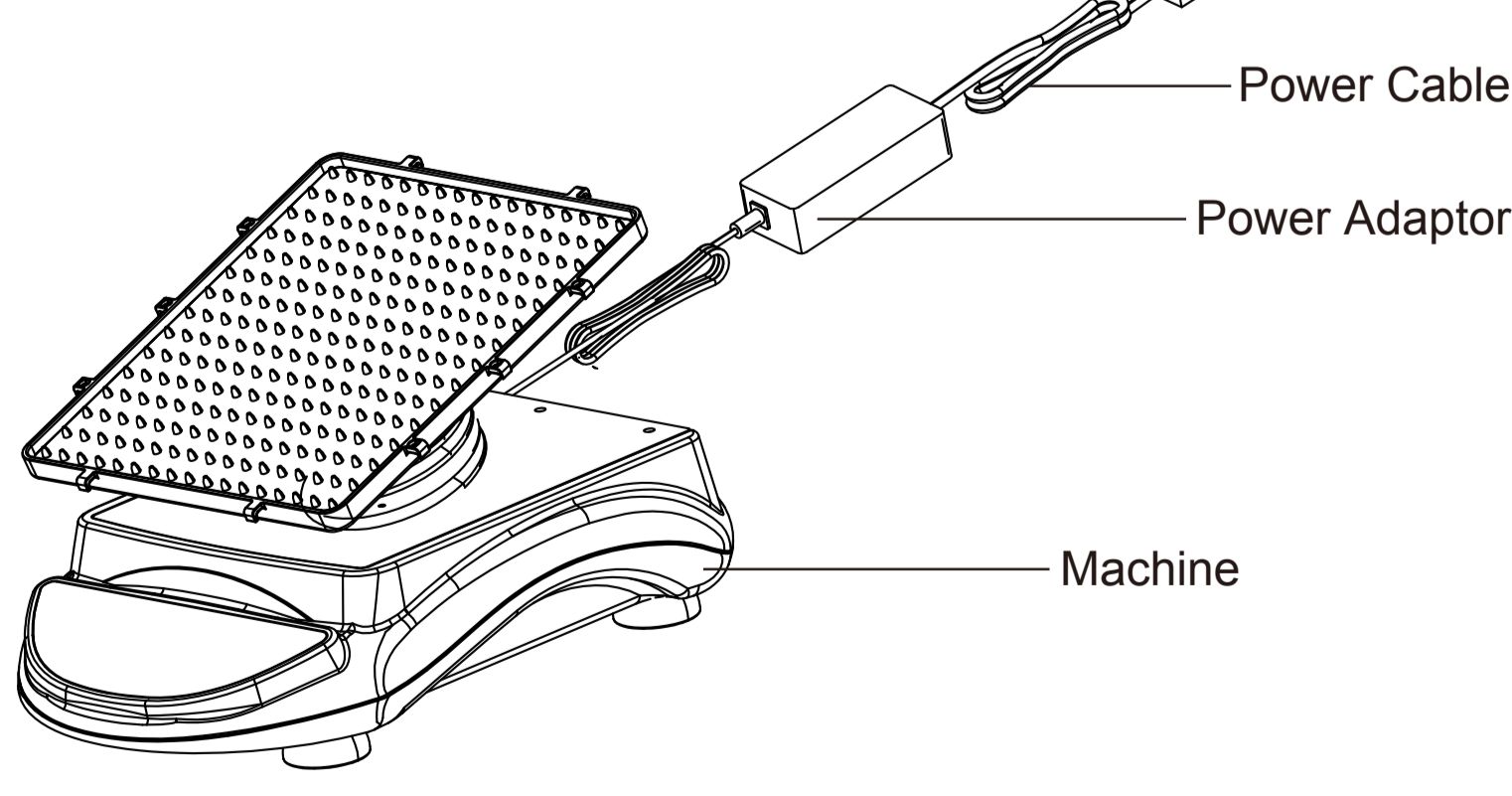
Symmetrical placement



Asymmetrical placement



### Specifications



Power Cable

Power Adaptor

Machine

Cat. No.	105005
Speed	2~80rpm
Speed Accuracy	1rpm
Tilt Angle	7°
Timer	0~99h59min
Platform Dimensions	307x297mm
Max. Load	0.8kg
Display	LED
Included Accessory Standard in Packaging	6 Rubber Strips
Ambient Temperature	5~40°C
Relative Humidity	≤80%
Power Supply	AC100~240V, 50 / 60Hz
Max. Power	6.5W
Dimensions	440(L)x296(W)x189(H)mm
Net Weight	7.3kg
Protection Level	IP21