

## Dry Saliva Collection Kits

### Screwed-on Funnel



203101



203102

### Features

- ✓ USP VI Polypropylene Tubes.
- ✓ Collection process is painless and safe.
- ✓ The humanized design of funnel conforms to the mouth shape of human, making the collection process simple and easy.
- ✓ Good sealing, effectively prevent leakage and contamination of specimens, easy to preserve and transport, safe and reliable.
- ✓ The bottom of the collecting vial is conical, which is convenient for concentrated sample processing.
- ✓ Bar codes are easy to manage digitally, and labels with writing areas are convenient for users to record information.
- ✓ RNase/DNase free, non-pyrogenic.

### Wedged Funnel



203111



203112

Product upgrade



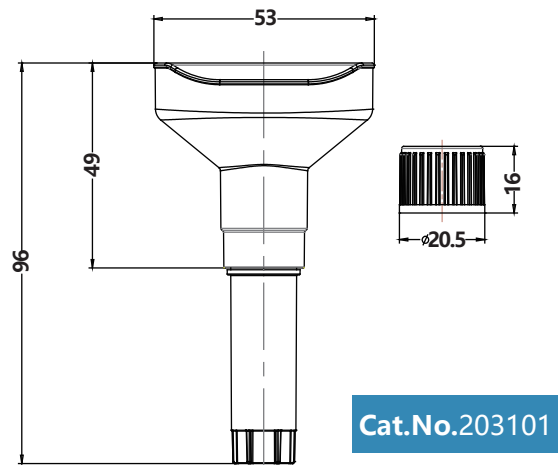
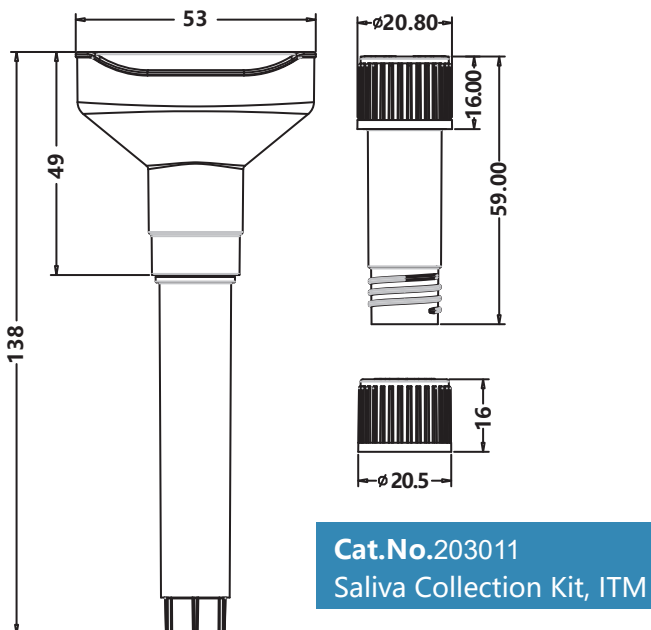
203901

### Wedged funnel fits with different sizes of tubes

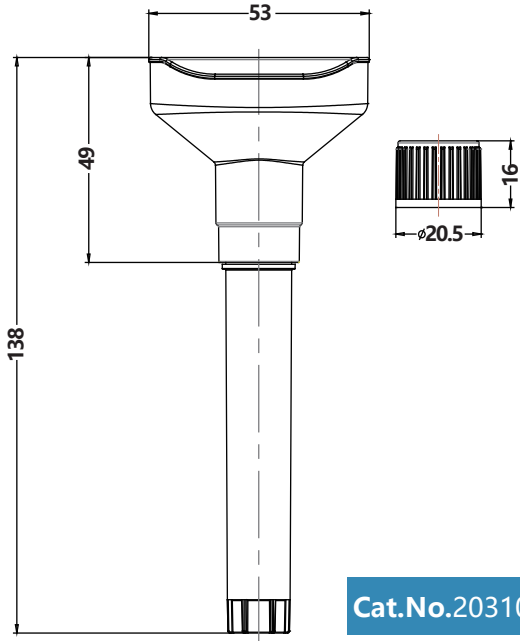


Cat.No.	Product Description	/Pk	/Cs
203101	<b>5 mL Dry Saliva Collection Kits with Screwed-on Funnels</b> Each Kit Includes a 5 mL Collection Tube, a Collection Tube Cap, a screwed-on Funnel and a Sample Bag, Sterile Pack, 100 Kits / Cs	1	100
203102	<b>10 mL Dry Saliva Collection Kits with Screwed-on Funnels</b> Each Kit Includes a 10 mL Collection Tube, a Collection Tube Cap, a screwed-on Funnel and a Sample Bag, Sterile Pack, 100 Kits / Cs	1	100
203111	<b>5 mL Dry Saliva Collection Kits with Wedged-in Funnels</b> Each Kit Includes a 5 mL Collection Tube, a Collection Tube Cap, a wedged-in Funnel and a Sample Bag, Sterile Pack, 100 Kits / Cs	1	100
203112	<b>10 mL Dry Saliva Collection Kits with Wedged-in Funnels</b> Each Kit Includes a 10 mL Collection Tube, a Collection Tube Cap, a wedged-in Funnel and a Sample Bag, Sterile Pack, 100 Kits / Cs	1	100
203901	<b>Saliva Collection Funnel, Wedged-in, Non-sterile, 1/Pk, 100/Cs</b> Compatible with Tube Diameters ranging from 9.5 ~ 20 mm	1	100

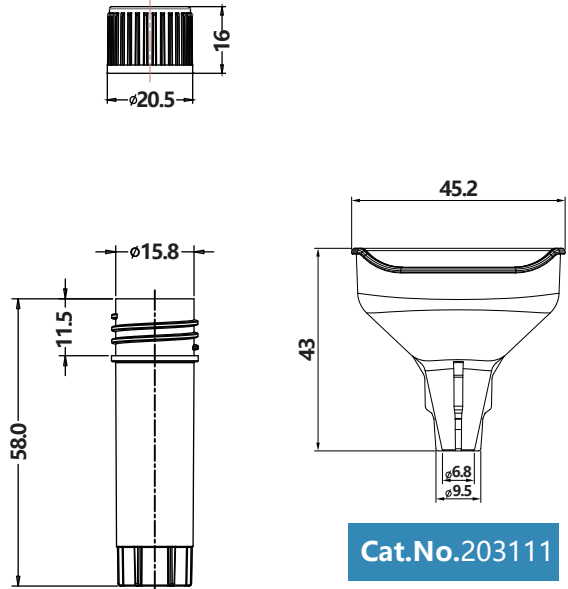
## Dimensions



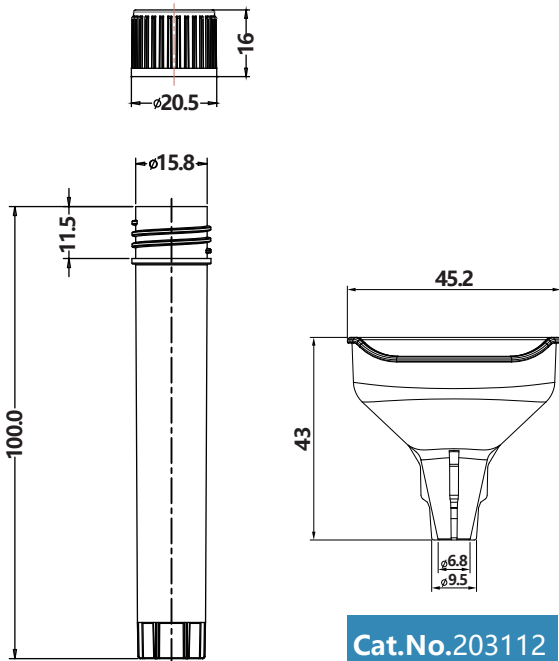
## Dimensions



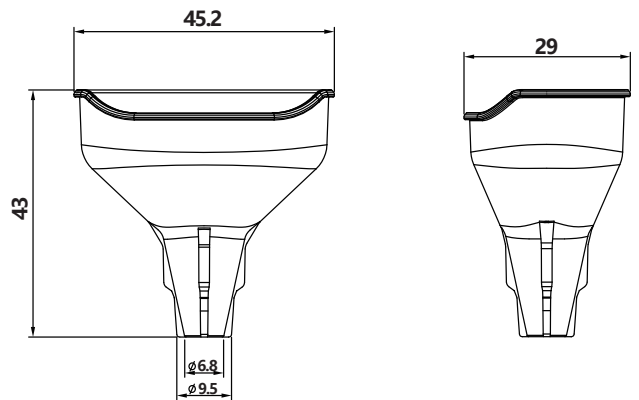
Cat.No.203102



Cat.No.203111

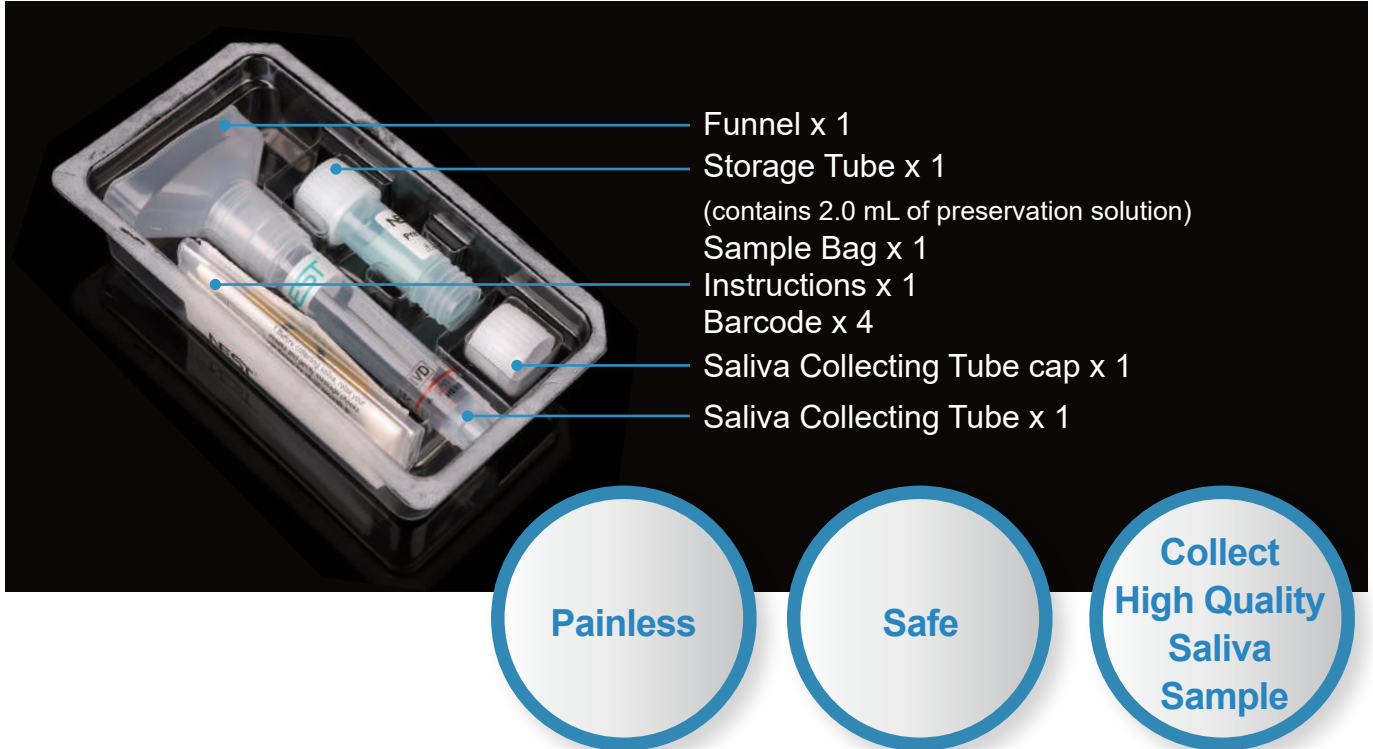


Cat.No.203112



Cat.No.203901

## Saliva Collection Kit, ITM



- Funnel x 1
- Storage Tube x 1  
(contains 2.0 mL of preservation solution)
- Sample Bag x 1
- Instructions x 1
- Barcode x 4
- Saliva Collecting Tube cap x 1
- Saliva Collecting Tube x 1

Painless

Safe

Collect  
High Quality  
Saliva  
Sample

### Saliva Collection Kit, ITM

**Cat. No.:** 203011

Individually packaged in blister card, 100 Kits/Case

#### Features:

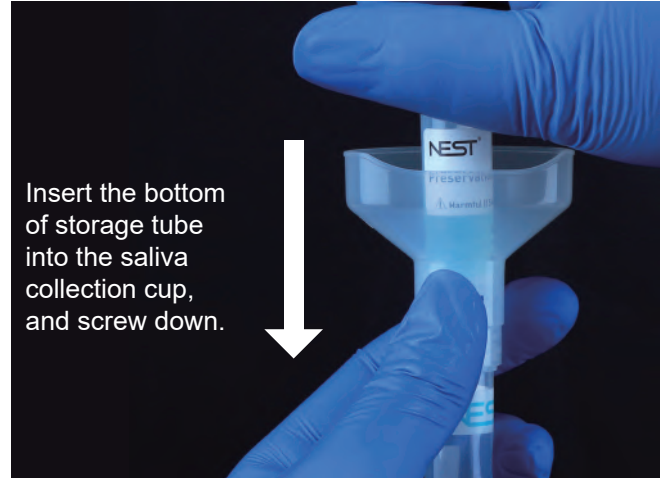
- Use at normal room temperature;
- The 5 mL preservation solution tube is filled with 2 mL ITM solution;
- Samples can be stored and transported at room temperature; DNA samples can be stored stably for 12 months; RNA samples can be stored steadily for 1 month.
- This preservation solution has good antibacterial performance and high storage efficiency and can ensure the integrity of viral nucleic acids in the sample when it is used to store inactivated viral samples.

#### Introduction

- The product is used to collect high-quality DNA/RNA samples in the saliva.
- The collection process is painless and won't cause any injury or discomfort to the human body.
- The collected samples can be used for various biological experiments such as enzymatic hydrolysis, PCR and next-generation sequencing and are widely used in the collection and preservation of specimens in hospitals, scientific research institutions and households.

## Design Advantages

### Double Safety Structure Design



#### ➤ Anti-unscrew Storage Tube Cap Design:

The storage tube cap can't be unscrew. Efficiently prevent users from accidentally eating the solution.

#### ➤ Transferring preservation solution safely without potential danger:

During the process of use, just insert the bottom of storage tube into the saliva collection cup, and screw down. Then the solution will flow into the saliva collection cup automatically. Preventing the users contacting the storage solution directly.

#### ➤ Inactivation Transport Medium:

The inactivation transport medium could provide good protection for medical personnel.

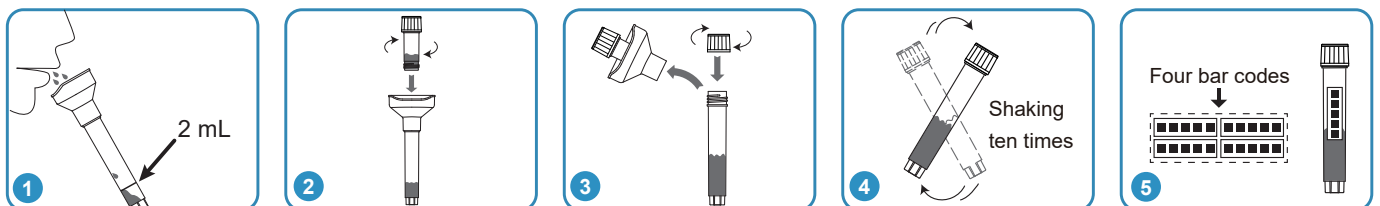
#### ➤ Room Temperature Storage and Transportation:

The preservation solution can be transported and stored at room temperature.

#### ➤ Painless Collection:

The collection process is painless and won't cause any injury or discomfort to the human body. It can perfectly replace blood DNA/RNA sample, especially for patients who are unwilling or unable to cooperate with blood sampling.

## Operation Instructions



Take out a bar code from the packing box and stick it on the saliva collection tube, then put the collection tube with bar code and two bar codes into the sample bag for storage, transportation or testing, and the remaining bar code is kept by the user for subsequent information feedback.

## Saliva/gargle collection kit



### ● Introduction

The disposable sampler saliva/gargle collection kit is intended for the collection and transport of clinical samples from the collection site to the testing laboratory. As it will not cause any discomfort to the collection object, it is easy to be accepted.

Both saliva and gargling method will be presented in this IFU. Depending on your needs you can choose preferable method. This product is easy to carry and easy to operate.

### ● Features

- Use at normal ambient temperature;
- The collection process is simple, convenient and easy to operate.
- Flexible to use, can be easily collected in the laboratory, clinic, or even at home.
- It is suitable for a wide range of object groups, especially for children and patients who do not meet the blood sample collection conditions.
- The non-invasive collection of samples will not cause any discomfort to the collection objects, reducing the chance of infection and improving safety.

Cat.No.	Description	/Pack	/Case
203051	Disposable Sampler, Saliva/Gargle Collection Kit, Each Kit Includes a Funnel, an empty 5mL vial, a 5 mL Vial Filled with 4.0 mL saline, Sterile, Paper Box Package, 100 kits/case	1	100
203061	Disposable Sampler, Saliva/Gargle Collection Kit, Each Kit Includes a Funnel, an empty 5mL vial, a 5 mL Vial Filled with 4.0 mL saline, Sterile, PE Bag Package, 100 kits/case	1	100
203071	Disposable Sampler, Saliva/Gargle Collection Kit, Each Kit Includes a Funnel, an empty 5mL vial, a 5 mL Vial Filled with 4.0 mL saline, Sterile, Blister Package, 100 kits/case	1	100